

SS-I Pyroelectric Sensors

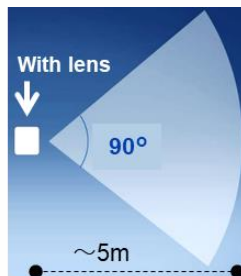
Overview

KEMET's new pyroelectric sensor SS-I is a reflow-compatible human detection sensor with a thin design and built-in IC. It is equipped with the most versatile I²C serial communication and can be configured freely for each application. The items that can be set are threshold and delay off time, and the corresponding digital output can be obtained. The driving functionality is already included in the package, for a smart **plug and sense** solution.

Features

- Low current consumption design (7.5 μ A)
- Wide field of view (120°)
- I²C interface (digital output)
- Low profile design for ultra thin applications
- New design for cost effective solutions

Detection Area (with lens)

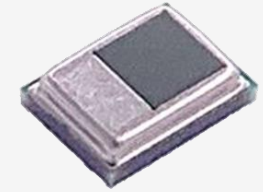


Specifications

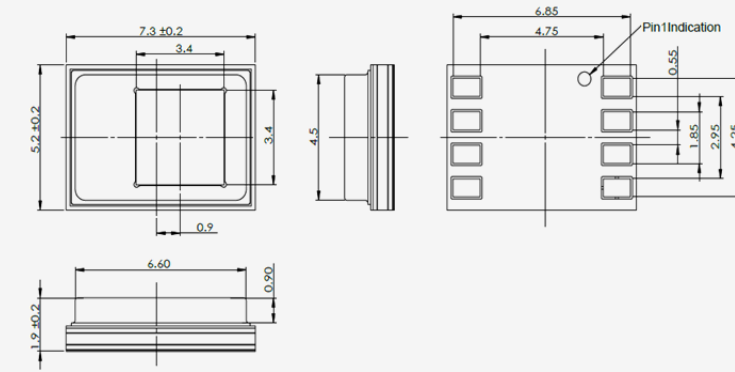
		SS-I-Q883
Product Size		7.3 x 5.2 x t 1.9 mm
Supply Voltage (Vcc)		2.5 ~ 5.5 V
Output Type		I ² C communication Digital output (High: Vcc / Low: 0 V)
Threshold Level		Configurable
Bandpass Filter		Configurable
Delay Off Time		Configurable (3 seconds – 30 minutes)
Detection Distance		~5 m (natural color lens)
Field of View	Without Lens	Horizontal: 120° Vertical: 120°
	With Lens	Horizontal: 90° Vertical: 90°
Consumption Current		<7.5 μ A
Operating Temperature Range		-40° C to +70° C

Applications

- LED lighting
- Smart home equipment
- Air cleaner
- Heater
- Smart thermostat
- Smart lock



Dimensions (mm)



Block Diagram

