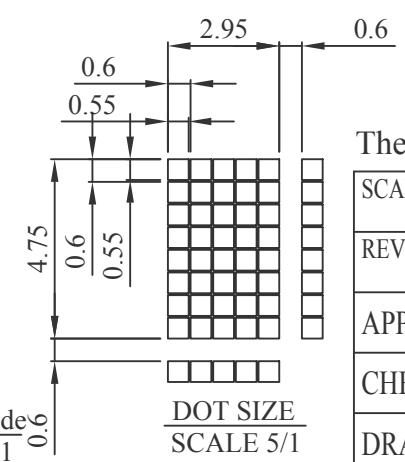
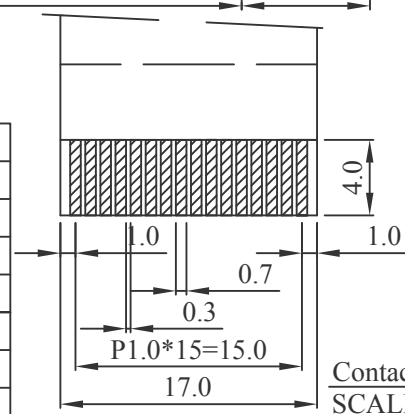


PIN NO.	SYMBOL
1	Vss
2	Vdd
3	Vo
4	RS
5	R/W
6	E
7	DB0
8	DB1
9	DB2
10	DB3
11	DB4
12	DB5
13	DB6
14	DB7
15	A
16	K

A



The non-specified tolerance of dimension is ±0.2mm.

1	Lcd Type	STN Gray
2	Backlight	LED , White
3	Viewing Direction	6 O'clock
4	Drive Method	1/16 DUTY,1/5BIAS
5	Input Voltage(Module)	5.0V
6	Polarizer Mode	Transflect/Positive
7	Operating Temperature	-20°C~70°C
8	Storage Temperature	-30°C~80°C

SCALE:	1/1	UNIT:	mm
REV:	A	PAGE:	1/1
APPROVE	賴國堅 06/06/13'		
CHECK	李純銘 06/06/13'		
DRAW	Molica 06/06/13'		

WINSTAR DISPLAY CO.	
MODEL WH2004H-TGH-JW#	
TITLE LCM DRAWING	
DWG NO. T-020582	