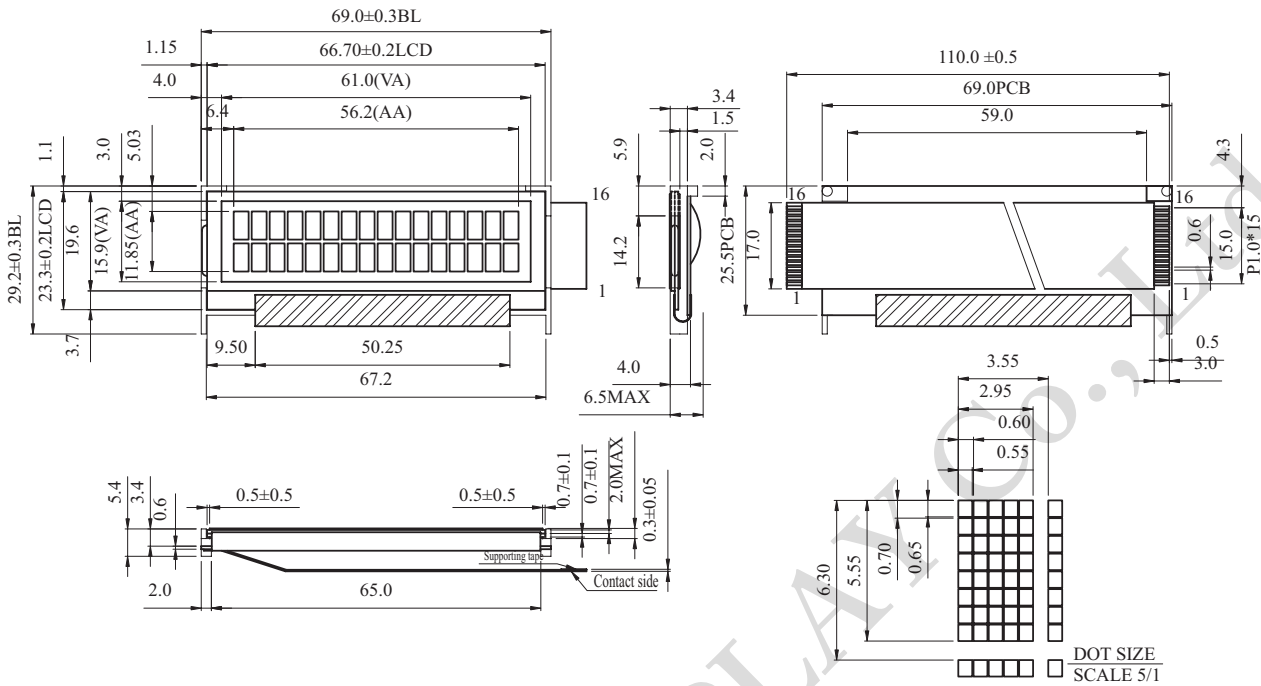




## WH1602V2 Character 16x2

### Dimension drawing



### Feature

1. 5x8 dots includes cursor
2. Built-in controller (ST 7066 or Equivalent)
3. +5.0V power supply
4. 1/16 duty cycle

### Mechanical Data

Item	Standard Value	Unit
Module Dimension	69.0x29.2	mm
Viewing Area	61.0x15.9	mm
LCD size	66.7x23.3	mm
Character Size	2.95x5.55	mm

Character type

Pin NO.	Symbol	Function
1	VSS	Ground
2	VDD	Supply voltage for logic
3	VO	Contrast Adjustment
4	RS	H: Data L: Instruction
5	R/W	H: read data L: write data
6	E	Enable signal
7	DB0	Data bus line
8	DB1	Data bus line
9	DB2	Data bus line
10	DB3	Data bus line
11	DB4	Data bus line
12	DB5	Data bus line
13	DB6	Data bus line
14	DB7	Data bus line
15	A	LED +
16	K	LED -

### Absolute Maximum Rating

Item	Symbol	Standard Value			Unit
		min.	typ.	max.	
Power Supply	VDD-VSS	-0.3	---	7.0	V
Input Voltage	VI	-0.3	---	VDD	V

Note: VSS=0 Volt, VDD=5.0 Volt.

### Electronical Characteristics

Item	Symbol	Condition	Standard Value			Unit
			min.	typ.	max.	
Input Voltage	VDD	---	4.7	5.0	5.3	V
Supply Current	IDD	VDD=5V	---	1.0	1.2	mA
Recommended LC Driving Voltage for Normal Temp. Version module	VDD-VO	-20°C	5.0	5.1	5.7	V
		0°C	4.6	4.8	5.2	
		25°C	4.1	4.5	4.7	
		50°C	3.9	4.2	4.5	
LED Forward Voltage	VF	25°C	---	---	---	V
		25°C	---	---	---	mA
LED Forward Current	IF	25°C	---	---	---	mA
EL Power Supply Current	IEF	V <sub>el</sub> =110VAC;400Hz	---	---	---	mA