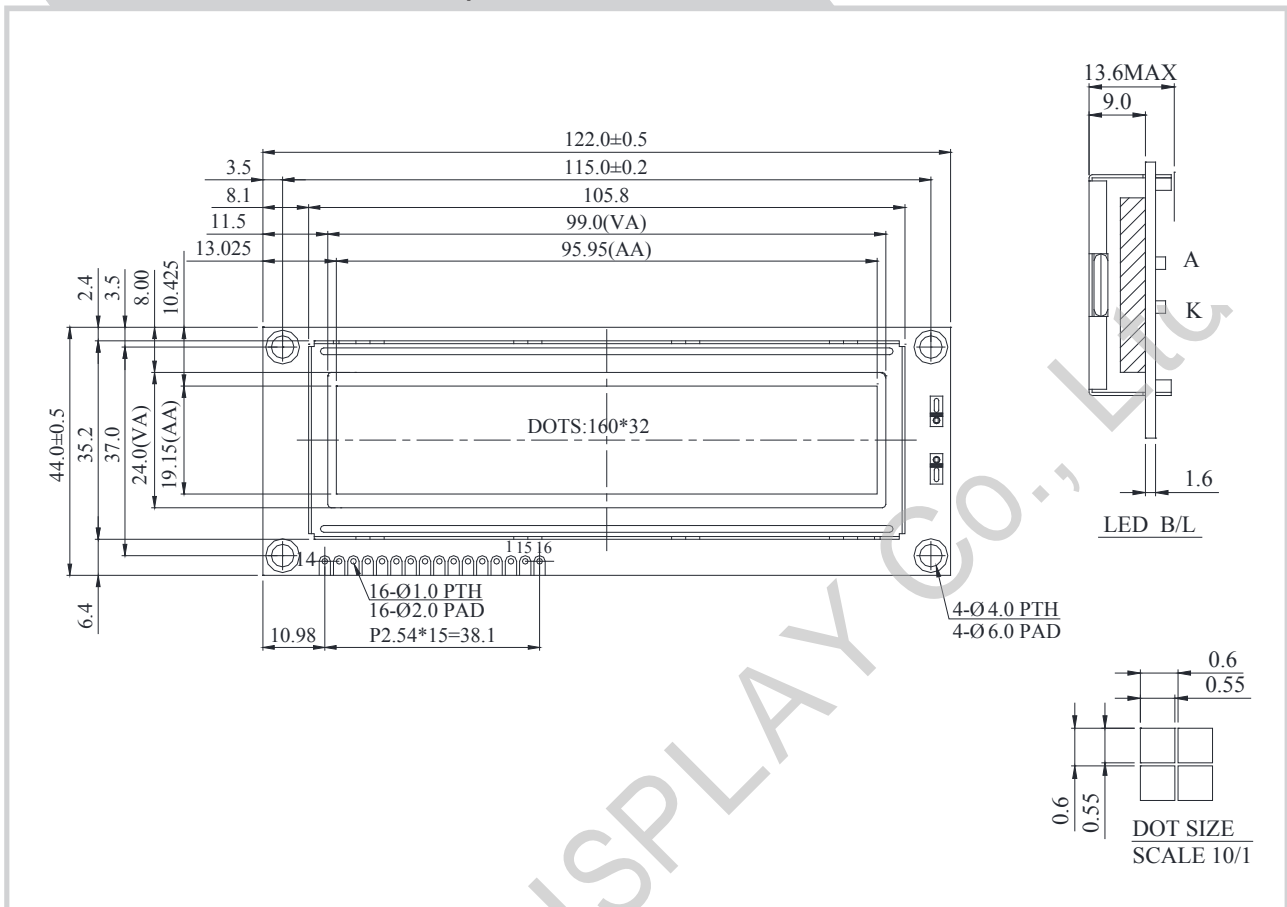


WG16032D3/D5 Graphic 160x32 dots



Feature

1. 160 x 32 dots includes cursor
2. Built-in controller ST7920
3. +3.3V / +5V power supply
4. 1/32 duty cycle
5. N.V. Built-in

Pin No.	Symbol	Description
1	V _{SS}	Ground
2	V _{DD}	Power supply for logic
3	NC	No connection
4	RS	Data/ Instruction select signal
5	R/W	Read/Write select signal
6	E	Enable signal
7	DB0	Data bus line
8	DB1	Data bus line
9	DB2	Data bus line
10	DB3	Data bus line
11	DB4	Data bus line
12	DB5	Data bus line
13	DB6	Data bus line
14	DB7	Data bus line
15	A	Power supply for B/L +
16	K	Power supply for B/L -

Mechanical Data

Item	Standard Value	Unit
Module Dimension	122.0 x 44.0	mm
Viewing Area	99.0 x 24.0	mm
Mounting Hole	115.0 x 37.0	mm
Dot Pitch	0.6 x 0.6	mm
Dot Size	0.55 x 0.55	mm

Electrical Characteristics

Item	Symbol	Standard Value	Unit
		typ.	
Input Voltage	V _{DD}	3/5	V
Recommended LCD Driving Voltage for Normal Temp. Version module @25°C	V ₀ -V _{SS}	4.75	V