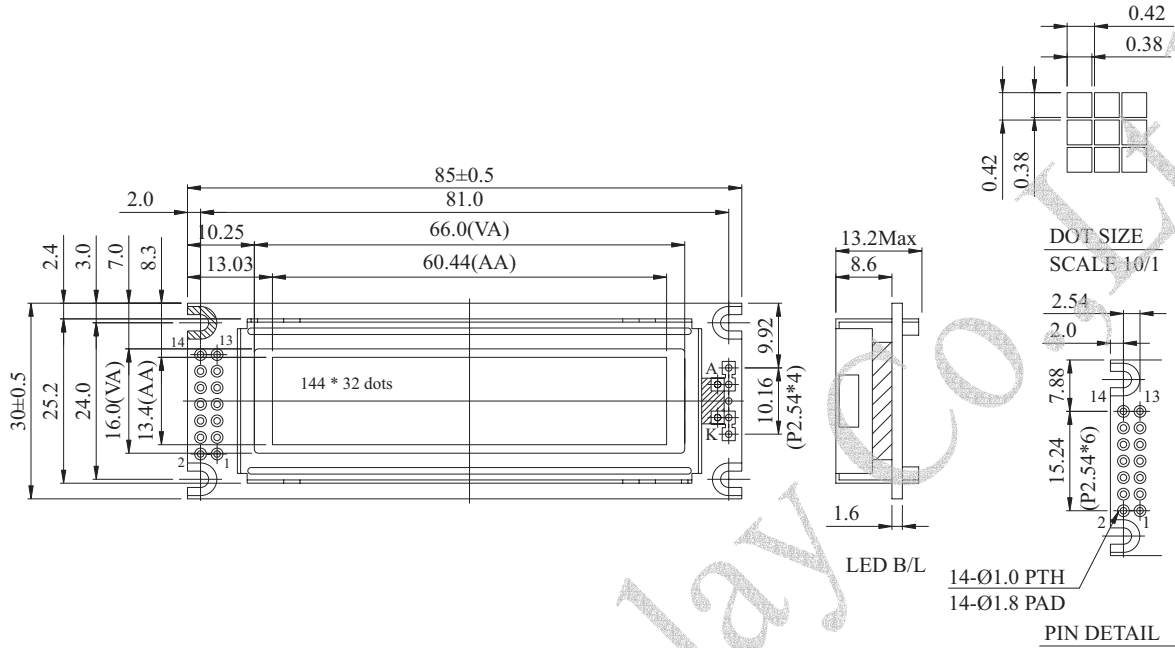


WG14432D Graphic 144x32 dots

Dimension drawing



Graphic type

Feature

1. Built-in controller (ST7920)
2. 1/32 duty cycle
3. +5.0V power supply
4. Chinese Version
5. Same size with WH1602D

Mechanical Data

Item	Standard Value	Unit
Module Dimension	85.0x30.0x13.2	mm
Viewing Area	66.0x16.0	mm
Dot Size	0.38x0.38	mm
Mounting hole	0.42x0.42	mm

Pin NO.	Symbol	Function
1	V _{DD}	Supply voltage for logic
2	V _{SS}	Ground
3	V _O	NC
4	RS	Register select signal
5	R _W	H: read data L: write data
6	E	Enable signal
7	DB0	Data bus line
8	DB1	Data bus line
9	DB2	Data bus line
10	DB3	Data bus line
11	DB4	Data bus line
12	DB5	Data bus line
13	DB6	Data bus line
14	DB7	Data bus line

Absolute Maximum Rating

Item	Symbol	Standard Value			Unit
		min.	typ.	max.	
Power Supply	V _{DD} -V _{SS}	4.75	5.0	5.25	V
Input Voltage	V _I	0	---	V _{DD}	V

Note: V_{SS}=0 Volt, V_{DD}=5.0 Volt.

Electrical Characteristics

Item	Symbol	Condition	Standard Value			Unit
			min.	typ.	max.	
Input Voltage	V _{DD}	---	4.5	5.0	5.5	V
Supply Current	I _{DD}	V _{DD} =5V	---	1.2	1.5	mA
Recommended LC Driving Voltage for Normal Temp. Version module	V _{DD} -V _O	-20°C	---	---	6.0	V
		25°C	---	4.7	---	
		70°C	4.0	---	---	
CCFL Starting Voltage	V _{FLS}	25°C	---	---	---	V _{rms}
CCFL Driving Voltage	V _{FLD}	25°C	---	---	---	V _{rms}
CCFL Driving Current	I _{FLD}	V _{FQ} =450V _{rms} 30KHZ	---	---	---	mA _{rms}
LED Forward Voltage	V _F	25°C	---	4.0	4.3	V
LED Forward Current	I _F	25°C	---	130	260	mA
EL Power Supply Current	I _{EF}	V _{el} =110V _{AC} ,400Hz	---	---	5.0	mA