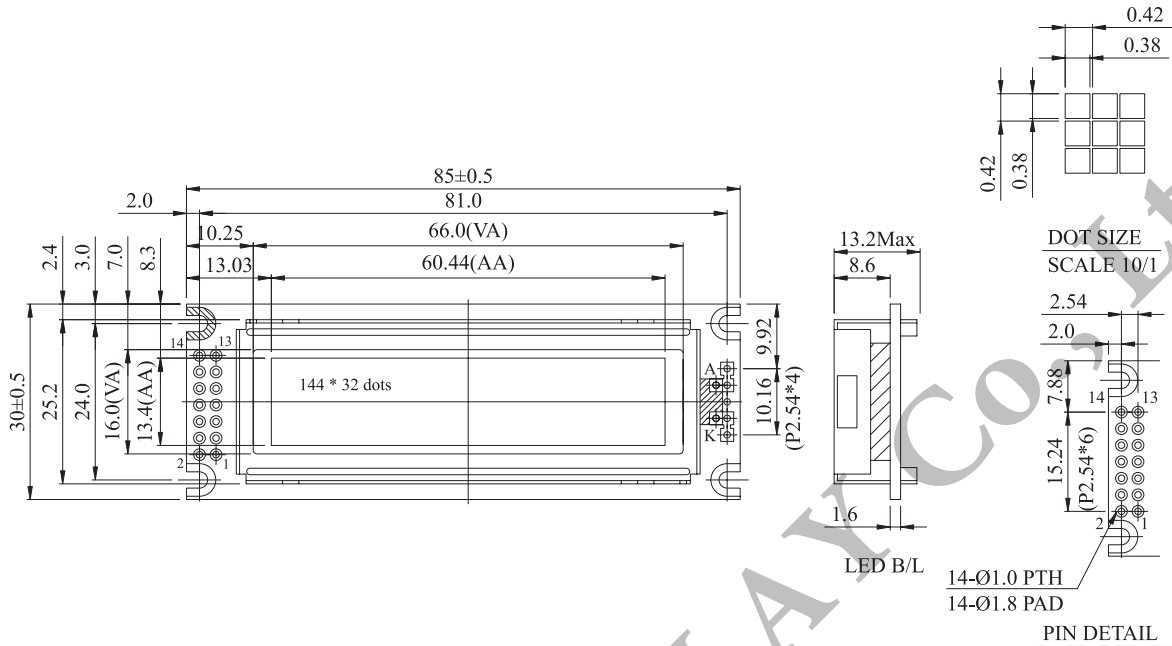




WG14432D Graphic 144x32 dots

Dimension drawing



Feature

1. Built-in controller (ST7920)
2. 1/32 duty cycle
3. +5.0V power supply
4. Chinese Version
5. Same size with WH1602D

Mechanical Data

Item	Standard Value	Unit
Module Dimension	85.0x30.0x13.2	mm
Viewing Area	66.0x16.0	mm
Dot Size	0.38x0.38	mm
Mounting hole	0.42x0.42	mm

Pin NO.	Symbol	Function
1	Vdd	Supply voltage for logic
2	Vss	Ground
3	Vo	NC
4	RS	Register select signal
5	R/W	H: read data L: write data
6	E	Enable signal
7	DB0	Data bus line
8	DB1	Data bus line
9	DB2	Data bus line
10	DB3	Data bus line
11	DB4	Data bus line
12	DB5	Data bus line
13	DB6	Data bus line
14	DB7	Data bus line

Absolute Maximum Rating

Item	Symbol	Standard Value			Unit
		min.	typ.	max.	
Power Supply	VDD-VSS	4.75	5.0	5.25	V
Input Voltage	VI	0	---	VDD	V

Note: VSS=0 Volt, VDD=5.0 Volt.

Electrical Characteristics

Item	Symbol	Condition	Standard Value			Unit
			min.	typ.	max.	
Input Voltage	VDD	---	4.5	5.0	5.5	V
Supply Current	IDD	VDD=5V	---	1.2	1.5	mA
Recommended LC Driving Voltage for Normal Temp. Version module	VDD-VO	-20°C	---	---	6.0	V
		25°C	---	4.7	---	
		70°C	4.0	---	---	
LED Forward Voltage	VF	25°C	---	4.0	4.3	V
LED Forward Current	IF	25°C	---	130	260	mA
EL Power Supply Current	IEF	Vel=110VAC;400Hz	---	---	5.0	mA

Graphic type