

## CMX655D

### Ultra-low Power Voice Codec

Direct connection to MEMS microphones and includes a 1W Class-D Speaker Driver

#### Features

- Digital microphone support
- High efficiency Class-D amplifier
- Low power consumption
- 16 bit audio data
- Supports conventional telephony and HD voice (300Hz - 3.4kHz and 50Hz - 7kHz bandwidths)
- Supports audio bandwidths up to 21kHz
- Supports 8/16/32/48 ksp/s sample rates
- Flexible serial audio interface
- SPI™/TWI control interface
- Small 24-lead VQFN Package
- 1.8—3.6V operation

#### Applications

- Security alarm panels
- Glass break detection
- Intercom and access systems
- Mobile radio and accessories
- Wired telephony
- Voice controlled equipment

#### Key Values

- Ultra-low operating power  
Typ. 300µA in listening mode
- Dual matched microphone channels
- Direct connection to MEMS microphones
- High efficiency 1W speaker driver
- Low cost small package



24-VQFN (4mm x 4mm)

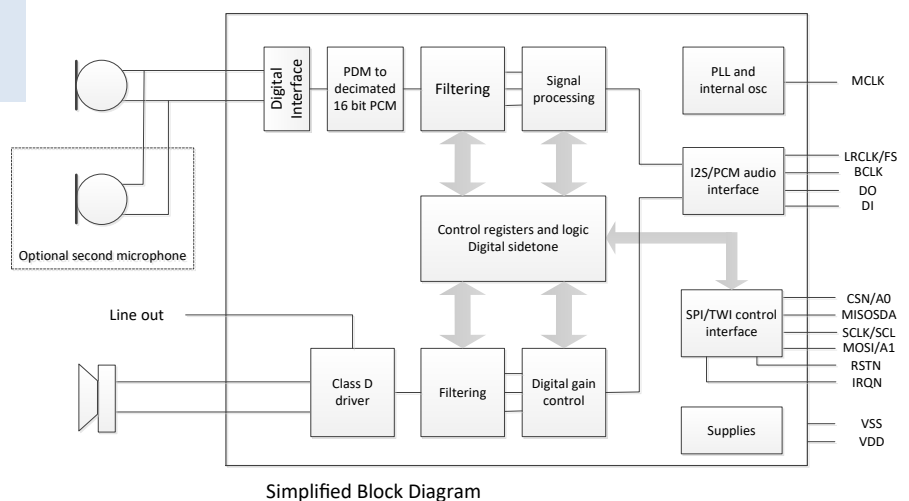
Traditionally voice codecs have interfaced to electret microphones and speakers providing A to D and D to A functions using precision oversampling data converters. Recent advances in microphone design using MEMS techniques are now changing this, along with higher efficiency speaker driver architectures such as Class D topologies. Both of these advances enable significant reductions in power consumption which is needed to address new applications such as voice control, that require always-on operation. Such applications that are often battery powered, driving the need for ultra-low power consumption.

The CMX655D addresses these needs providing an update to the traditional voice codec that is both very low power and small in size. Microphone interfaces connect single or dual MEMS microphones to the device, with parallel processing of each data stream to maintain phase alignment between the two channels. The device supports programmable on-chip filtering, with digital gain control and an AGC function.

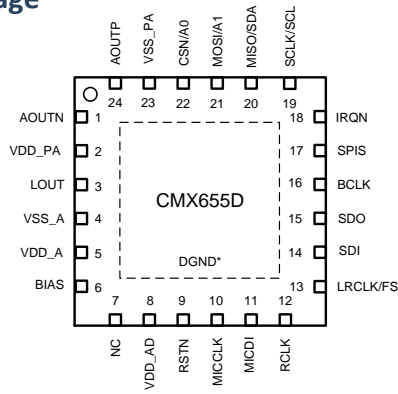
In the reverse channel digital voice data drives a Class-D amplifier, also featuring programmable filtering and digital gain control. This architecture operates with much higher efficiency than conventional speaker drivers. An additional low level output is also provided.

The device interfaces via standard serial busses that are commonly found on many microcontrollers, DSPs and low cost single chip radio transceivers.

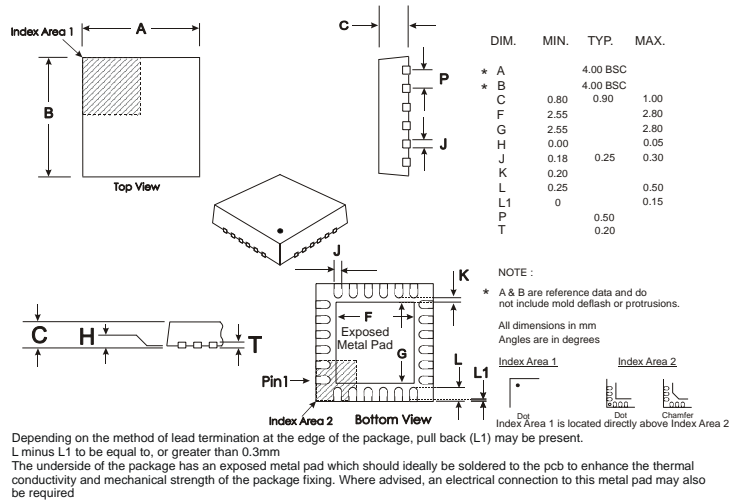
The CMX655D is available in a small VQFN-24 package and supported by a range of development tools including the EV6550D evaluation kit.



Package

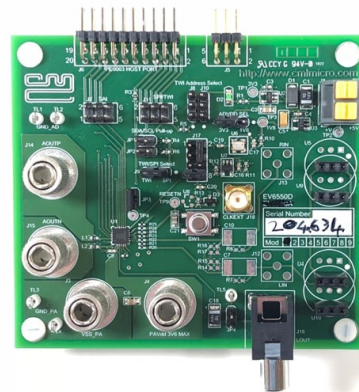


\*Exposed Paddle VQFN (Q6) 4mm x 4mm



Evaluation Support - EV6550D

- Demonstrates the CMX655D
- Sockets to support Digital MEMS microphone evaluation boards
- Direct Class-D connections for full evaluation of Class-D
- On board 24.576MHz clock
- On-board supply regulators operate from a single 5 volt supply
- Host Port allows for quick setup with PE0003
- Optional pull-ups and address selection for TWI



Ordering information:

- CMX655DQ6 - Ultra-low Power Voice Codec
- EV6550D - CMX655D Evaluation Kit

**WHAT TO DO NEXT** Visit: [www.cmlmicro.com](http://www.cmlmicro.com) Find: [Distributor](#)

CML Microcircuits Benefits

Faster time to market

Developing proven high performance and field tested ASSP ICs, CML is helping engineers to cope with increasing pressure in delivering shorter project design cycles.

Design flexibility

CML's FirmASIC® reconfigurable technology with the use of a Function Image upload enables a single hardware platform to be used for multiple communications systems.

High Quality

CML is qualified to the latest ISO standards and tests 100% of all devices in-house prior to shipment, ensuring customers the highest standards in quality and reliability.

Product Longevity

Designing with CML products, manufacturers are rewarded with longer product life cycles and a stable BOM, ensuring minimum engineering costs and maximum profit.

Low Power

Being at the forefront of low power chip technology, manufacturers can develop smaller equipment with extended battery life.

Superior Support

Internal and field based applications teams worldwide provide focused customer support to ease the development process.