

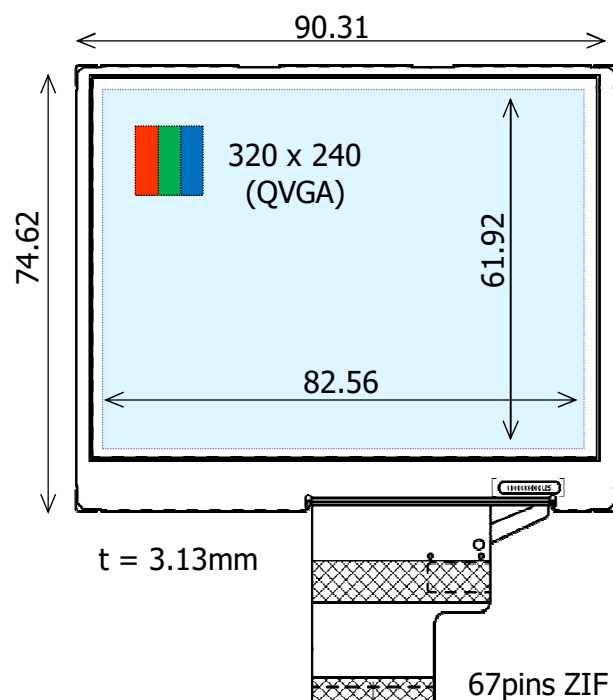
COM41H4N08XLC - 4.1" QVGA

TOPPAN

© TOPPAN PRINTING CO.,LTD.

ORTUSTECH

- **4.1-inch, Full-Color, a-Si TFT-LCD**
- **Blanview Technology (1st Gen.)**
- **Sunlight Readable**
- **Low Power Consumption**



| | |
|---------------------------------------|---|
| Part Number | COM41H4N08XLC |
| Display Size | 4.1" Diagonal |
| Display Features | Landscape, 4:3 Aspect |
| Display Technology | TN (Normally-White) Blanview 1st. Gen. |
| Resolution | 320 x 240 pixels (98ppi) |
| Power Supply | 3.0V |
| Data Input | Parallel RGB 18bit/24bit |
| Number of Color | 262K / 16.7M |
| Color Purity (CF) | 22% NTSC |
| Brightness (typ.) | 350cd/m ² (@ I _{LED} = 6.5mA) |
| Viewing Angle (U/D/L/R) | 80 / 80 / 80 / 80 |
| Contrast | 400 |
| Power Consumption (@ typ. Brightness) | LCD 27mW + Backlight 86mW |
| Backlight (Exp. Lifetime) | White LED 5pcs x 2 lines (50,000 hrs) |
| Temperature | Op: -20 ~ +70 °C St: -30 ~ +80 °C |
| Status | Series Production |

Note : Detailed technical information shall be referred to a document of Product Specifications. Please contact Toppan Printing (ortustech@toppan.co.jp) for further product information.