

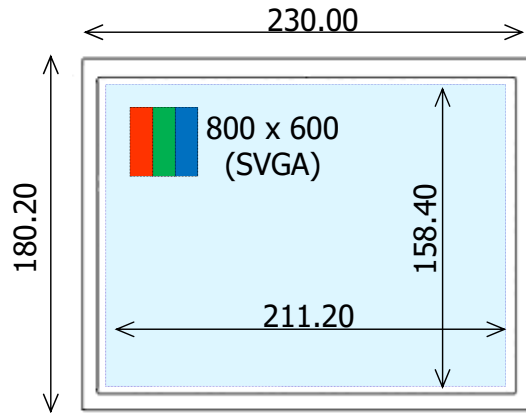
# COM104H9M11xxx - 10.4" SVGA

**TOPPAN**

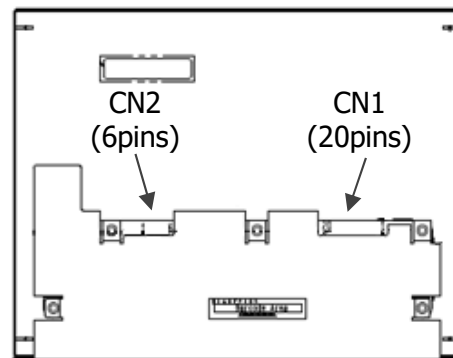
© TOPPAN PRINTING CO.,LTD.

**ORTUSTECH**

- 10.4-inch, Full-Color, a-Si TFT-LCD
- IPS-FFS TFT with Blanview Technology ("Blanview-F")
- Sunlight Readable
- Low Power Consumption (Less Heating)
- High Image Quality
- Wide Viewing Angle
- Long Lifetime LED Backlight (70K hrs Life)



Thick = 11.00mm



**Under Development**

Part Number	COM104H9M11xxx	
Display Features	10.4" Landscape (4:3)	
Display Technology	IPS-FFS (Normally-Black) Blanview Technology	
Resolution	800 x 600 pixels (96ppi)	
Power Supply	3.3V /12.0V	
Data Input (# of Colors)	LVDS 6bit (262K) / 8bit (16.7M)	
Color Purity (CF)	50% NTSC	
Brightness (typ.)	[560] cd/m <sup>2</sup>	Reference, Design Target
Viewing Angle (U/D/L/R)	[85 / 85 / 85 / 85]	Reference, Design Target
Contrast	[800]	Reference, Design Target
Power Consumption (@ typ. Brightness)	[3.7] Watt	Reference, Design Target
Backlight (Exp. Lifetime)	White LED [6pcs x 3 lines] ([70,000hrs])	Reference, Design Target
Temperature	Op: -20 ~ +70 °C St: -30 ~ +80 °C	
Status	Under Development SOP: Please ask Toppan	

Note : Detailed technical information shall be referred to a document of Product Specifications. Please contact Toppan Printing (ortustech@toppan.co.jp) for further product information.

\* Under development product : Specifications are subject to change as the development goes on