


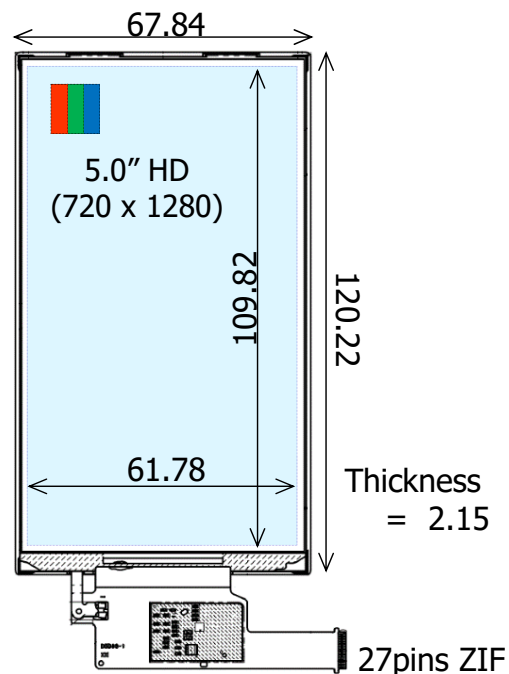
# COM50H5N03ULC - 5.0" HD-Resolution

**TOPPAN**

© TOPPAN PRINTING CO.,LTD.

**ORTUSTECH**

- **5.0-inch, Full-Color, a-Si TFT-LCD**
-  **Blanview-2 Technology**  
(2<sup>nd</sup> Gen. Blanview)
- **Sunlight Readable**
- **Low Power Consumption**
- **Wide Viewing Angle**
- **Slim Form Factor (2.15mm thick)**
- **MIPI Interface**



Part Number	COM50H5N03ULC
Display Size	5.0" Diagonal
Display Features	Portrait, 9:16 Aspect
Display Technology	VA (Normally-Black) Blanview-2
Resolution	720 x 1280 pixels (296ppi)
Power Supply	2.9V / 1.9V
Data Input	8bit MIPI 2-Lanes
Number of Colors	16.7 M
Color Purity (CF)	50% NTSC
Brightness (typ.)	400cd/m <sup>2</sup> (@ I <sub>LED</sub> = 10mA)
Viewing Angle (U/D/L/R)	80 / 80 / 80 / 80
Contrast	800
Power Consumption (@ typ. Brightness)	LCD 118mW + Backlight 220mW
Backlight (Exp. Lifetime)	White LED x8 (50,000 hrs)
Temperature	Op: -20 ~ +70 °C St: -30 ~ +80 °C
Status	Series Production

Note : Detailed technical information shall be referred to a document of Product Specifications. Please contact Toppan Printing (ortustech@toppan.co.jp) for further product information.